



DAMEN INCLINOMETER

GENERAL

The inclinometer has been designed for angle measurement of booms and suction pipes from dredging vessels. The measuring principal is based on inclinometer technology and the electrical connection is for standard two-wire technique. The inclinometer can be used for inboard/outboard or subsea applications. The inclinometer can also be used for measuring the list and trim of vessel and construction parts.

The submersible version IP-68 is mounted in stainless steel housing and provided with a watertight Subconn® connector. Within the standard inclinometer housing different types of inclinometer sensors can be mounted. The inclinometer housing is provided with a mounting support that can be welded to the steel construction. For the cable connection a protection cage is provided. The inclinometer is available in different ranges (see technical specifications). All inclinometers are factory calibrated and can be supplied with a calibration certificate.

FEATURES

- Vibration proof
- Standard sensor type SB-1
- High accuracy, long term stability, resolution 0,01°
- Supply voltage 24 Vdc
- Signal output 4 to 20 mA
- Reverse polarity protection
- Sensor and amplifier galvanically isolated
- No maintenance is required
- Operation temperature -30°C to $+70^{\circ}\text{C}$
- Dryweight 22 kg

DAMEN

TECHNICAL DATA

INCLINOMETER SENSOR

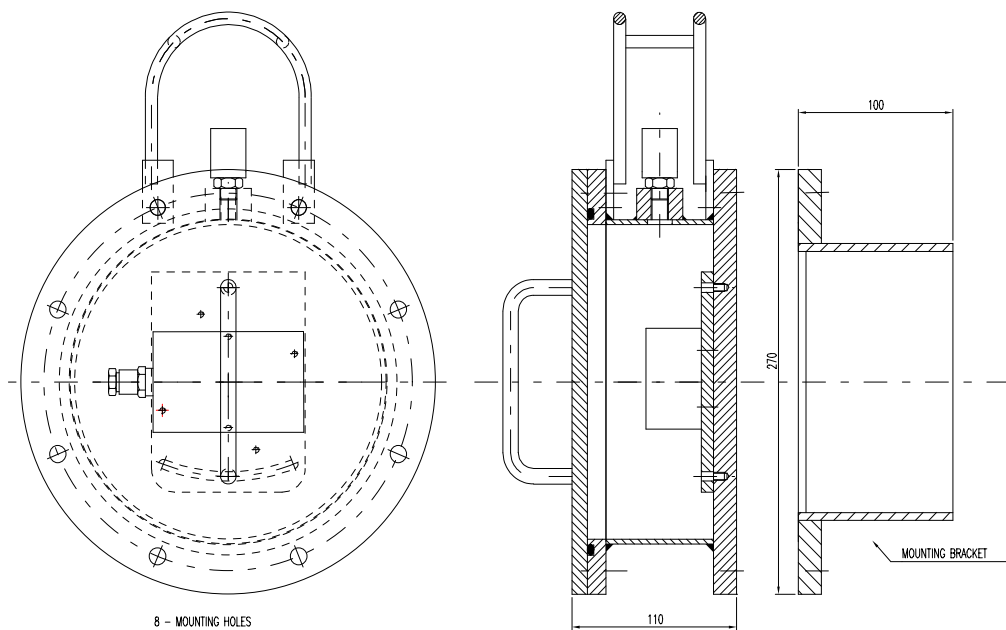
Sensor type SB 1i(one axis)
 Sensor type SB 2i(two axis)
 Sensor ranges SB 1i -30°....+30°
 -10°....+60°
 -80°....+80°
 0°....+90°
 Sensor range SB 2i -45° ... +45°
 Other types or ranges on request

Standard	Optional
•	
	•
•	
•	
•	
•	
•	
	•
•	
•	

Calibration certificate
 Stainless steel housing IP-68 with Subconn connector
 Cable connection with Subconn® connector
 (standard DGC-405 cable 25 m)
 Other length cable on request
 Power supply unit 24 Vdc
 Signal output 4 to 20 mA

GENERAL SPECIFICATIONS

Stainless steel housing with mounting support : 305x305x150 mm (HxWxD)
 Protection class : IP-68
 Cable with Subconn® 4-p, female : PUR - DGC405 (4x1.0 mm²)
 Operation temperature : - 30°C to + 70°C
 Max. Load impedance : 500 ohm (at 24 Vdc supply)
 Dry weight : 22 kg



DAMEN INCLINOMETER



DAMEN DREDGING EQUIPMENT

Member of the DAMEN SHIPYARDS GROUP



Edisonstraat 32
 3861 NE Nijkerk

P.O. Box 1021
 3860 BA Nijkerk
 The Netherlands

phone +31 (0)33 247 40 40
 fax +31 (0)33 247 40 60

info@damendredging.com
 www.damendredging.com